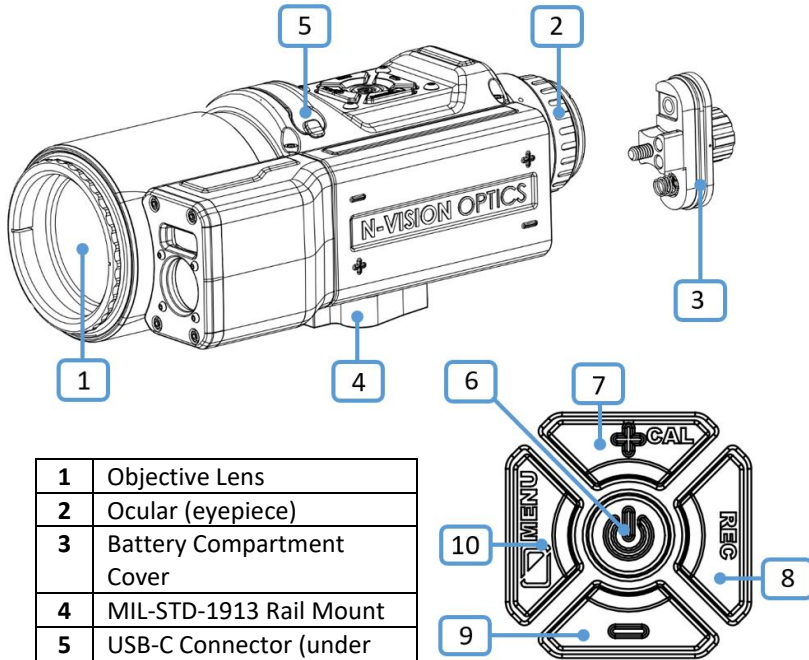


HALO-XRF THERMAL SIGHT QUICK REFERENCE GUIDE



| | |
|---|----------------------------------|
| 1 | Objective Lens |
| 2 | Ocular (eyepiece) |
| 3 | Battery Compartment Cover |
| 4 | MIL-STD-1913 Rail Mount |
| 5 | USB-C Connector (under dust cup) |

| | | | |
|---|-------------------------------|----|-------------------------------|
| 6 | Power / Zoom Button | 9 | LRF / - Button |
| 7 | + / CALibration Button | 10 | Polarity / MENU Button |
| 8 | RERecording Button | | |

BATTERY INSTALLATION Unscrew the Battery Compartment Cover (3). Install two 18650 batteries into Battery Compartment Cover with battery orientation shown on the battery compartment. Close the Battery Compartment Cover (3) with the spring contact being at the bottom and tighten it.

POWERING ON/OFF Press and hold down the **Power** button (6) for approximately four seconds. When the display in the Ocular lights up, release the Power button (6). To turn the unit off, press and hold the Power button (6) for approximately two seconds until the image in the Ocular (2) disappears.

IMPORTANT: THERMAL CALIBRATION HALO-XRF requires calibration before each use after powering the unit up or after a significant change in ambient or device temperature. To calibrate the system, press and hold **+ / CALibration** button (7) for approximately two seconds until the image refreshes while the lens cover is closed or the objective lens is completely covered with a hand.

DIGITAL ZOOM Zoom is activated by briefly pressing the **Power / Zoom** button (6). When the **Power / Zoom** button (6) is pressed and released, the sight will sequence through 2X, then 4X, 8X, and return to 1X. Note: for digital zoom to function, it has to be enabled in the System Settings menu.

POLARITY If enabled in the System Settings menu, pressing the **Polarity / MENU** button (10) briefly, will change polarity between Black Hot, White Hot, and Edge Detect modes. Black Hot mode displays the hottest parts of the video as black. The cooler features are displayed as increasingly lighter shades of gray. White Hot mode displays the hottest parts as white with darker shades of gray until the coldest parts show as black. Edge Detect modes outline regions with the same temperatures in black or white.

LASER RANGE FINDER (LRF) To measure a distance with the LRF, press and release the **LRF / -** button (9) while pointing the LRF reticle to your object of interest. For the LRF to work, it has to be turned on under the LRF menu. If the LRF mode is set to Scanning in the LRF menu, the LRF will continuously measure the distance until it is stopped with the **LRF / -** button (9).

PHOTOS and VIDEOS HALO-XRF is capable of taking still photos, recording videos, or streaming videos over a WiFi connection. Camera mode selection is made in Camera Menu.

To take photos, set Camera Mode to Photo. Photos can be taken by briefly pressing and releasing the **RERecording** button (8). The photo icon will briefly flash when a picture is taken.

To take videos, set Camera Mode to Video. Start Video recording by pressing and holding down the **RERecording** button (8) for two seconds. The REC icon will appear to confirm that the video is being recorded. Stop recording by holding down the **RERecording** button (8) for two seconds.

See User Manual for instructions related to the WiFi streaming.

MENU To enter the menu, press the **Polarity / MENU** button (10) for approximately two seconds. Navigate between menu items by moving the cursor using buttons **+ / CALibration** (7) and **LRF / -** (9). Select the menu item by pressing the **Power / Zoom** button (6). When an item is selected, the cursor will change its shape. The selected item's value changed with **+ / CALibration** (7) and **LRF / -** (9) buttons.

FULL USER MANUAL is available at the N-Vision Optics website nvisionoptics.com. You may find it useful!